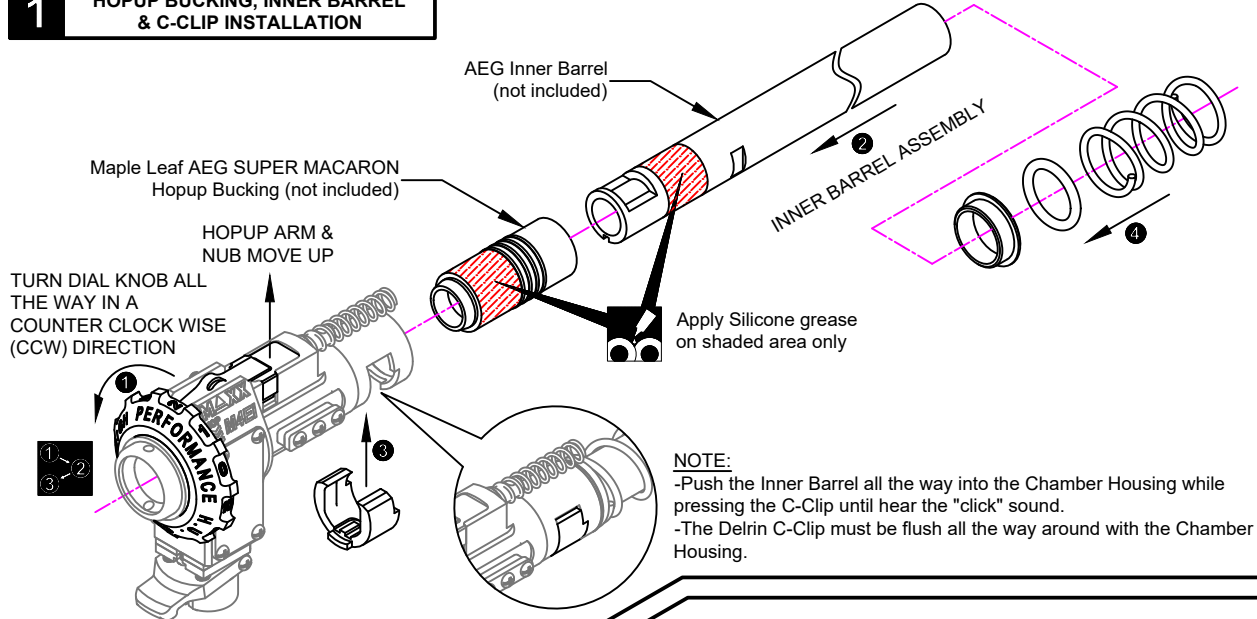


CNC ALUMINUM HOPUP CHAMBER M4Ei (FOR ICS M4)

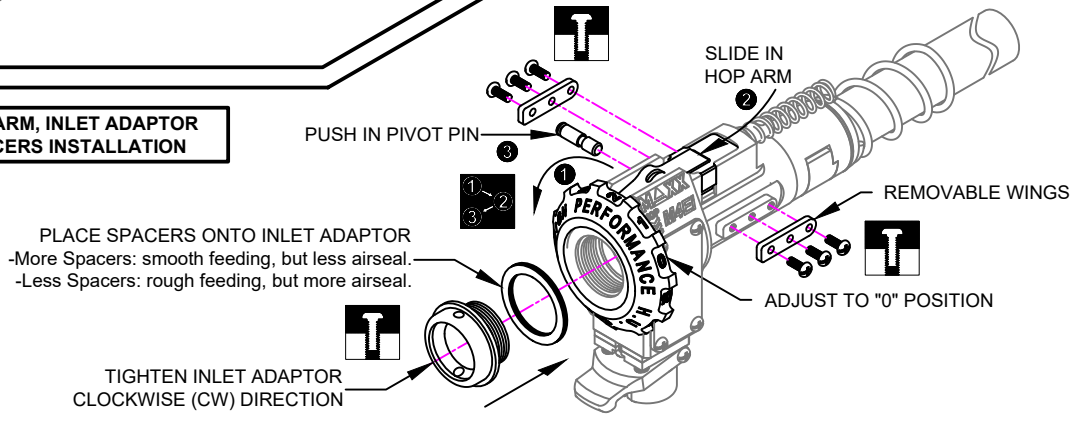
MAXX MODEL PRODUCTS, INC.

COPYRIGHT © 2024

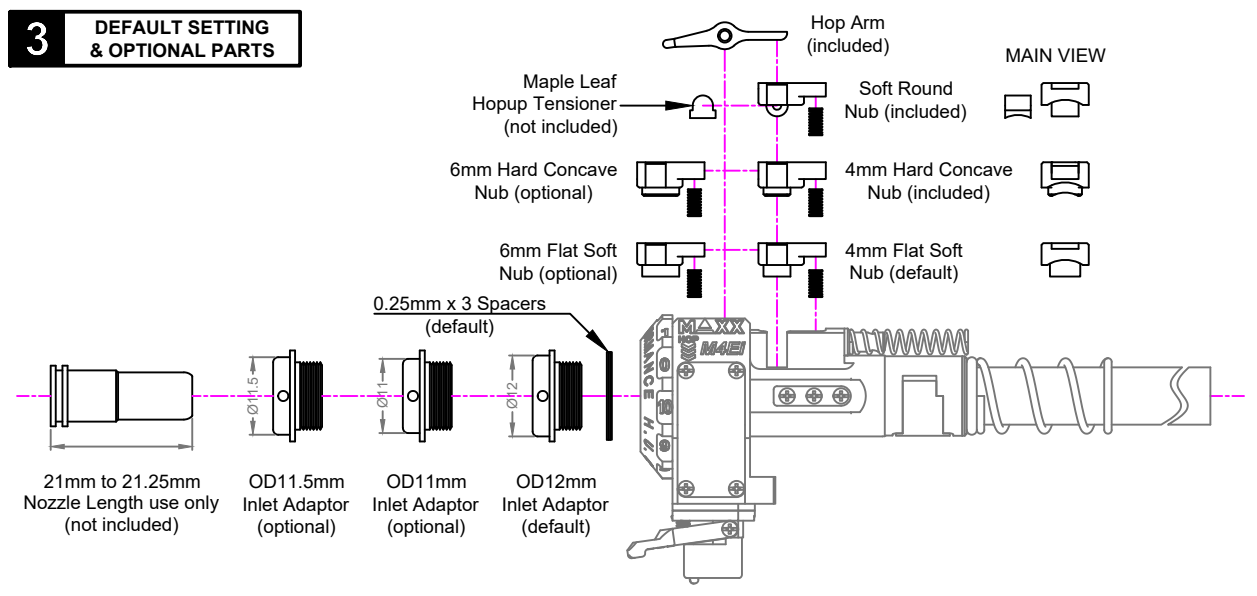
1 HOPUP BUCKING, INNER BARREL & C-CLIP INSTALLATION



2 HOPUP ARM, INLET ADAPTOR & SPACERS INSTALLATION



3 DEFAULT SETTING & OPTIONAL PARTS



Assemble in this order
 Apply Silicone grease
 Tighten firmly, do not overtighten

CAUTION: Please check your model carefully before operation!

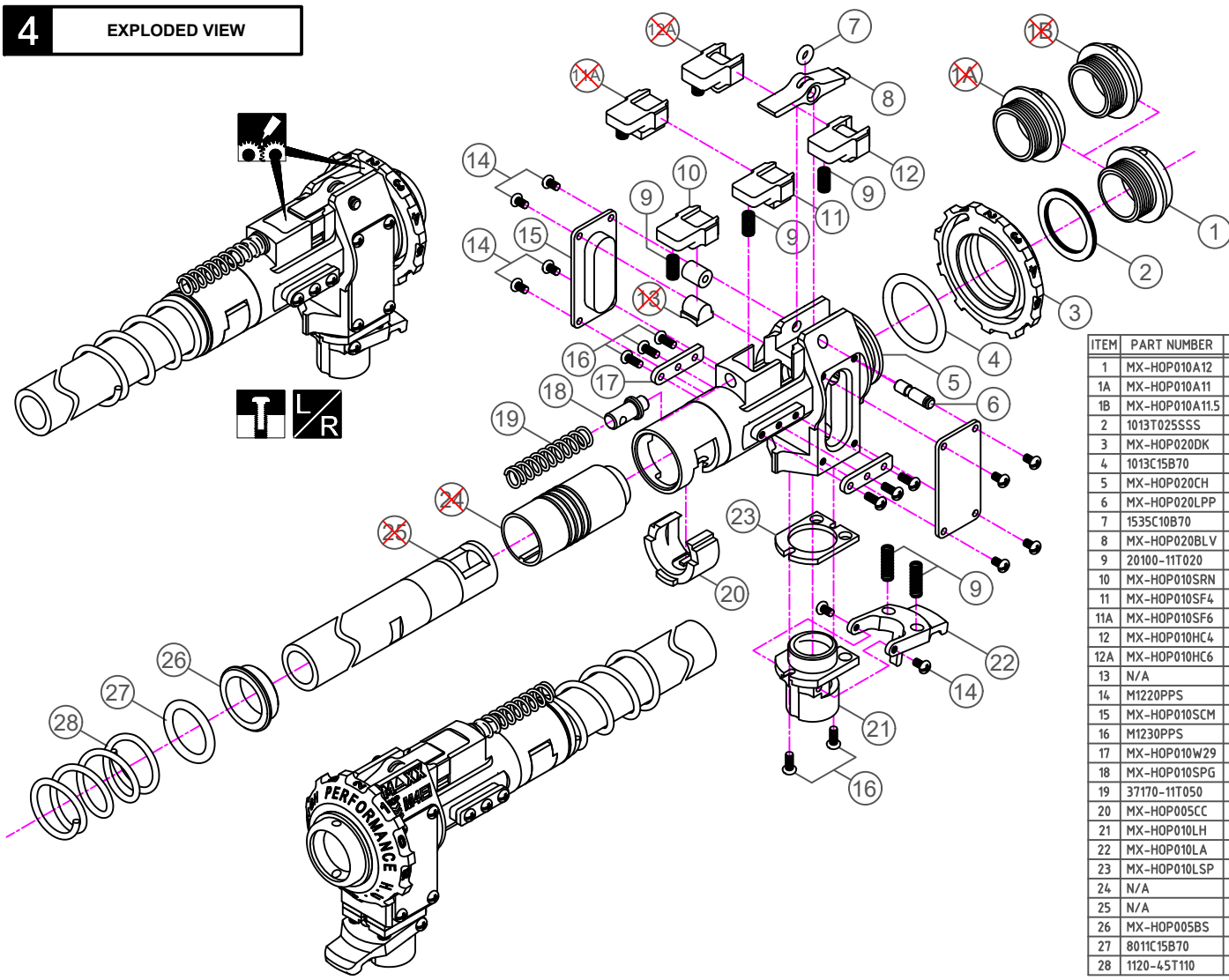
REV. MX-HOP020MEI-300124-01

CNC ALUMINUM HOPUP CHAMBER M4Ei (FOR ICS M4)

MAXX MODEL PRODUCTS, INC.

COPYRIGHT © 2024

4 EXPLODED VIEW



| ITEM | PART NUMBER | DESCRIPTION | QTY |
|------|----------------|---|-----|
| 1 | MX-HOP010A12 | HOPUP CHAMBER INLET ADAPTOR (OD12MM) | 1 |
| 1A | MX-HOP010A11 | HOPUP CHAMBER INLET ADAPTOR (OD11MM) (OPTIONAL) | 0 |
| 1B | MX-HOP010A11.5 | HOPUP CHAMBER INLET ADAPTOR (OD11.5MM) (OPTIONAL) | 0 |
| 2 | 1013T025SSS | 10X13X0.25MM STAINLESS STEEL 0.25MM SPACER | 3 |
| 3 | MX-HOP020DK | HOPUP CHAMBER DIAL KNOB | 1 |
| 4 | 1013C15B70 | 10X13X1.5MM 70 BUNA O-RING | 1 |
| 5 | MX-HOP020CH | HOPUP CHAMBER HOUSING M4Ei | 1 |
| 6 | MX-HOP020LPP | HOPUP CHAMBER LEVER PIVOT PIN | 1 |
| 7 | 1535C10B70 | 1.5X3.5X1MM 70 BUNA O-RING | 1 |
| 8 | MX-HOP020BLV | HOPUP CHAMBER BUCKING LEVER | 1 |
| 9 | 20100-11T020 | 1.6X2.0X10MM HELICAL COMPRESSION SPRING | 5 |
| 10 | MX-HOP010SRN | HOPUP CHAMBER SOFT ROUND NUB | 1 |
| 11 | MX-HOP010SF4 | HOPUP CHAMBER SOFT FLAT NUB (4MM) | 1 |
| 11A | MX-HOP010SF6 | HOPUP CHAMBER SOFT FLAT NUB (6MM) (OPTIONAL) | 0 |
| 12 | MX-HOP010HC4 | HOPUP CHAMBER HARD CONCAVE NUB (4MM) | 1 |
| 12A | MX-HOP010HC6 | HOPUP CHAMBER HARD CONCAVE NUB (6MM) (OPTIONAL) | 0 |
| 13 | N/A | MAPLE LEAF OMEGA HOPUP TENSIONER (NOT INCLUDED) | 0 |
| 14 | M1220PPS | M1.2X2MM PHILLIPS PAN HEAD SCREW | 10 |
| 15 | MX-HOP010SCM | HOPUP CHAMBER SIDE COVER M4 | 2 |
| 16 | M1230PPS | M1.2X3MM PHILLIPS PAN HEAD SCREW | 8 |
| 17 | MX-HOP010W29 | HOPUP CHAMBER SIDE WING M4 (2.9MM) | 2 |
| 18 | MX-HOP010SPG | HOPUP CHAMBER SPRING GUIDE | 1 |
| 19 | 37170-11T050 | 2.7X3.7X17MM HELICAL COMPRESSION SPRING | 1 |
| 20 | MX-HOP005CC | HOPUP CHAMBER C-CLIP | 1 |
| 21 | MX-HOP010LH | HOPUP CHAMBER LATCH HOUSING | 1 |
| 22 | MX-HOP010LA | HOPUP CHAMBER LATCH ARM | 1 |
| 23 | MX-HOP010LSP | HOPUP CHAMBER LATCH SPACER | 1 |
| 24 | N/A | MAPLE LEAF AEG HOPUP BUCKING (NOT INCLUDED) | 0 |
| 25 | N/A | AEG INNER BARREL (NOT INCLUDED) | 0 |
| 26 | MX-HOP005BS | HOPUP CHAMBER BARREL SPACER | 1 |
| 27 | 8011C15B70 | 8X11X1.5MM 70 BUNA O-RING | 1 |
| 28 | 1120-45T110 | 9X11X20MM HELICAL COMPRESSION SPRING | 1 |



Apply Lithium grease



Tighten firmly, do not overtighten



Assemble left and right in the same way

CAUTION: Please check your model carefully before operation!

REV. MX-HOP020MEI-300124-01